

# INFO

1/2019

[www.alcaplast.com](http://www.alcaplast.com)

## DISCOVER 4 FLEXI PIPES INNOVATIONS

### **NEWS**

Flexi pipes PREMIUM  
AM101/1500L MEDIC ASSISTANT  
Bath CLICK/CLACK waste and trap  
with flat overflow



**CONTENT**

**FLEXI PIPES PREMIUM** ..... 3



**AM101/1500L MEDIC ASSISTANT** ..... 6

**WC Alca MEDIC** ..... 8

Barrier-free program ..... 9



**BATH WASTES AND TRAPS** ..... 11

Bath waste and traps **A516KM, A516CKM** ..... 12



**EXTENSION OF BLACK-MATT PROGRAM** ..... 13

**A465BLACK-50, A564BLACK, A4000BLACK** ..... 13



**LINEAR SHOWER DRAINS** ..... 16

Secondary drainage – shower drains **APZ1S, APZ101S** ..... 16

Shower drain **APZ2022** ..... 18



**NEW TYPES OF DRAINAGE CHANNELS** ..... 20



**INDEX** ..... 23



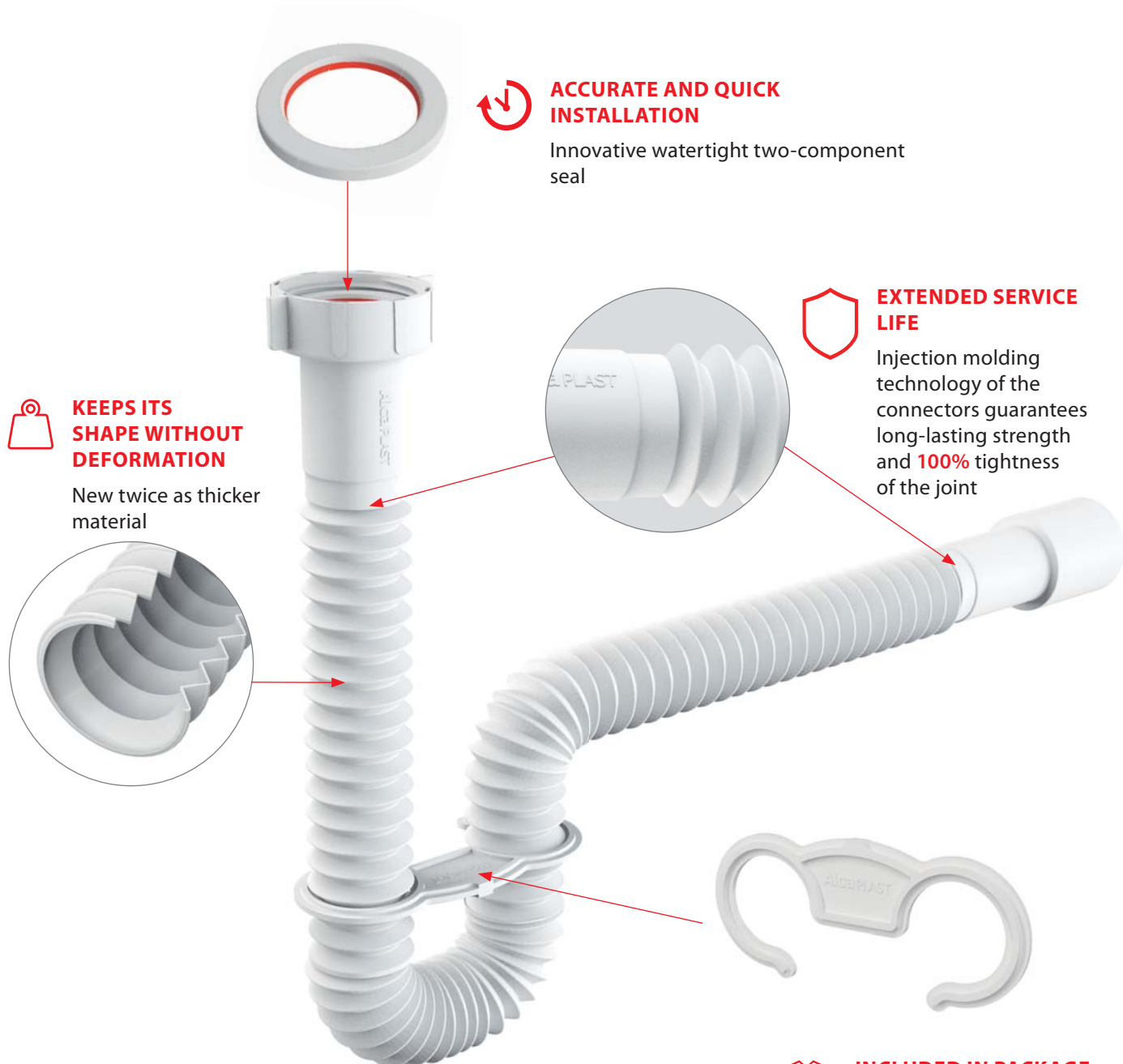
NEW

3

## Flexi pipes PREMIUM

We are introducing the new product line of flexi pipes **PREMIUM** that will replace two existing lines – basic **flexi pipes** and **flexi pipes+**.

- Premium quality for the same price
- Made in Czech Republic
- 4 innovations for simple installation and longer lifetime



**ACCURATE AND QUICK INSTALLATION**

Innovative watertight two-component seal

**KEEPS ITS SHAPE WITHOUT DEFORMATION**

New twice as thicker material

**EXTENDED SERVICE LIFE**

Injection molding technology of the connectors guarantees long-lasting strength and **100%** tightness of the joint

**INCLUDED IN PACKAGE**

Flexi pipe holder fixing the shape of flexi pipe



**NEW**

4

## Overview of flexi pipes PREMIUM

**A710**  
Flexi pipe 40x40\*



**A720**  
Flexi pipe 50/40x40/50\*



**A730**  
Flexi pipe 5/4"x40 plastic



**A740**  
Flexi pipe 5/4"x40 metal



**A750**  
Flexi pipe 5/4"x32/40 plastic



**A760**  
Flexi pipe 5/4"x32/40 metal



**A770**  
Flexi pipe 6/4"x40/50 plastic



**A780**  
Flexi pipe 6/4"x40/50 metal



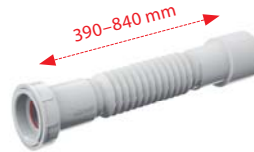
**A791**  
Flexi pipe 6/4"x40 plastic



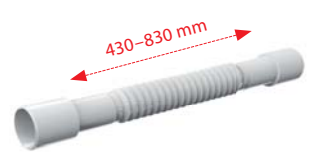
**A792**  
Flexi pipe 6/4"x40 metal



**A793**  
Flexi pipe 6/4" with reduction to 5/4"x50/40 plastic



**A794**  
Flexi pipe 40-32x32-40\*



**A7990**  
Two-component seal 5/4"



**A7991**  
Two-component seal 6/4"



**A7992**  
Two-component seal 1"



**A7993**  
Flexi pipe holder



\* Flexi pipe holder A7993 not included in packaging.

## Flexi pipes PREMIUM

- Premium quality for the same price
- Made in Czech Republic
- 4 innovations for simple installation and longer lifetime

N	Flexi pipes PREMIUM	Replaces flexi pipes	Replaces flexi pipes+
	A710	A71	
	A720	A72	A702
	A730	A73	
	A740	A74	
	A750	A75	A705
	A760	A76	A706
	A770	A77	A707
	A780	A78	A708
	A791	A79	
	A792	A790	
	A793		
	A794		

**NEW**

6

## Pre-wall installation system height adjustable – for people with reduced mobility AM101/1500L MEDIC ASSISTANT



CZECH  
PRODUCT

### For a higher quality of life

Life brings different periods in which we are dependent on others. Whether after an accident, a surgery or in old age. Medic Assistant facilitates the toileting self-help and allows the user to stay longer in a familiar home environment. It is a long-term solution for independent and quality life.

### Comfort for patients and staff

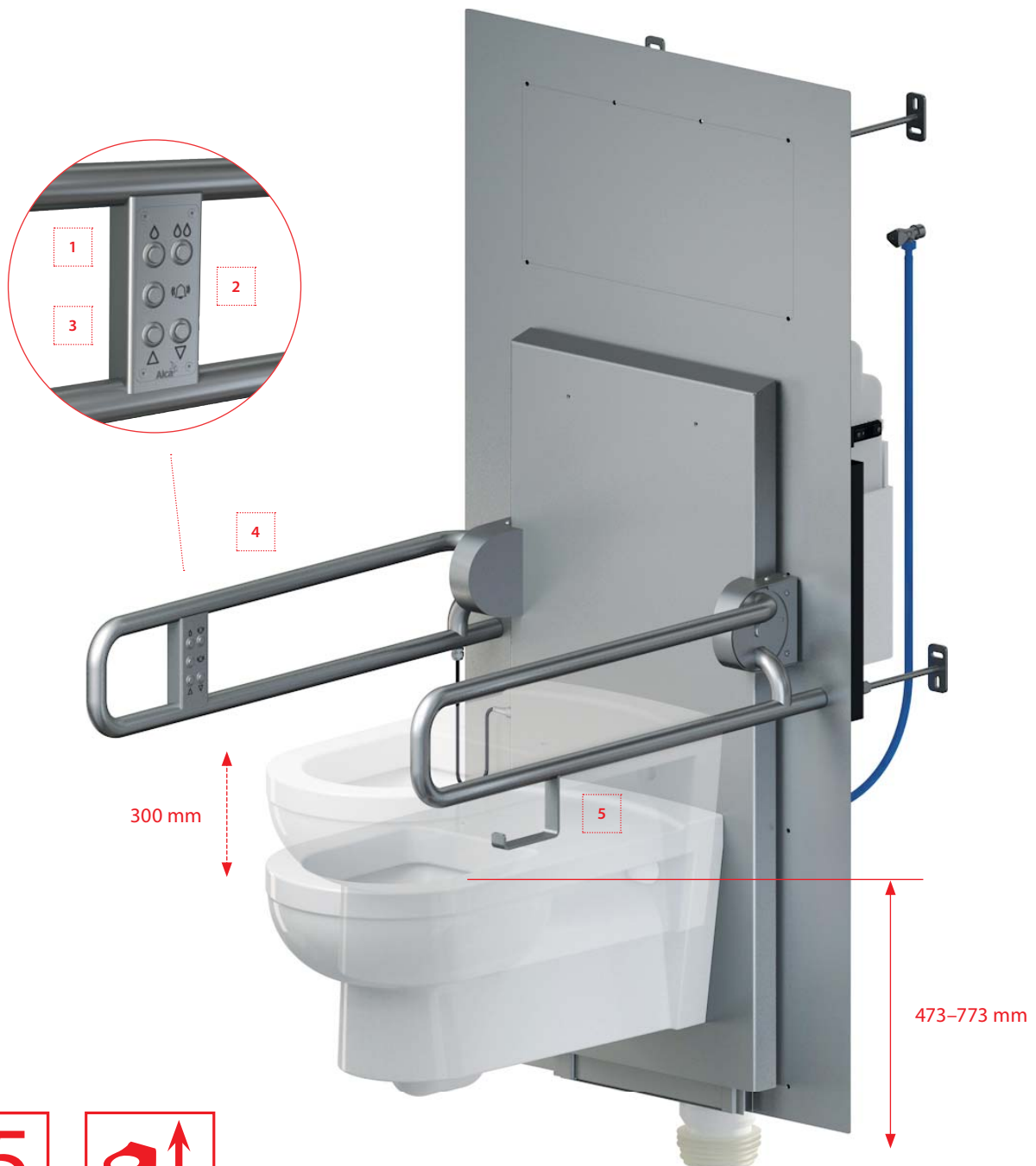
For its exceptional properties Medic Assistant finds use not only in homes for the elderly, but also in nursing homes, hospitals or rehabilitation centers. It helps with the rehabilitation of patients with limited mobility after surgery and reduces the need for assistance of nursing staff.



**NEW**

7

# Pre-wall installation system height adjustable – for people with reduced mobility AM101/1500LMEDIC ASSISTANT



**15**  
YEAR GUARANTEE

**30 CM**

- 1 Water-saving dual volume flushing technology 2–9 litres
- 2 Alert system button directly in the support handle
- 3 Continuously adjustable toilet bowl in the range up to 30 cm
- 4 Folding handles
- 5 Toilet paper holder

**KG** Load capacity of handle up to 200 kg

**KG** Construction load capacity 400 kg

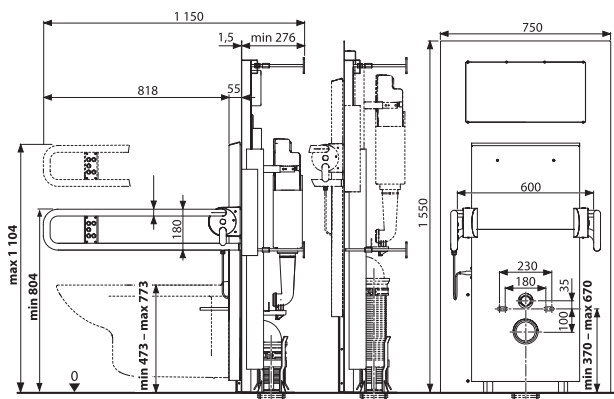
**KG** Stainless steel cover panel AISI 316L – high resistance

**NEW**

8

## AM101/1500L MEDIC ASSISTANT

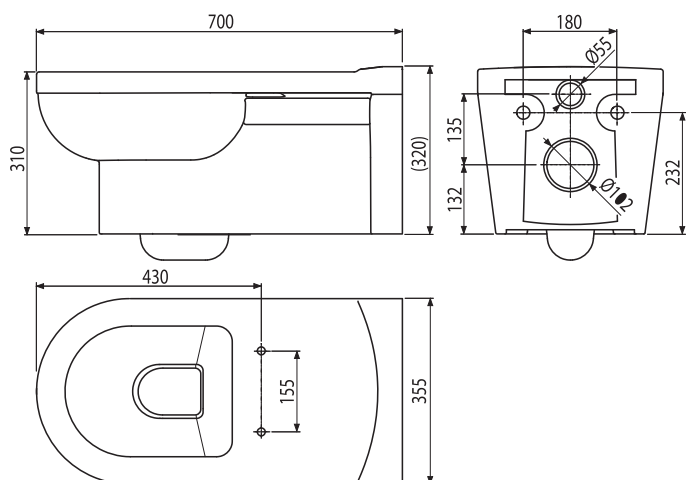
Pre-wall installation system for dry build up, height adjustable – for people with reduced mobility



Quantity (packing) <b>AM101/1500L</b>	1 pc
Dimensions (piece)	1686x835x654 mm
Weight (piece)	105.802 kg
EAN	8595580554828

## WC Alca MEDIC

Wall-hung WC for people with reduced mobility



Quantity (packing) <b>WC Alca MEDIC</b>	1 pc
Dimensions (piece)	700x355x400 mm
Weight (piece)	31.15 kg
EAN	8595580504915



## Barrier-free program

Alcaplast offers a comprehensive range of sanitary products for barrier-free bathroom and toilet. More on [www.alcaplast.com/en/barrier-free-program](http://www.alcaplast.com/en/barrier-free-program)



### PRE-WALL INSTALLATION SYSTEMS

Pre-wall installation systems for people with reduced mobility | Sanitary ware

**15**  
YEAR GUARANTEE



**AM101/1300H Sádromodul**

Pre-wall installation system for dry build up (plasterboard) – for people with reduced mobility



**AM116/1300H Solomodul**

Pre-wall installation system for dry build up (self-supporting) – for people with reduced mobility



**AM101/1500L MEDIC ASSISTANT**

Pre-wall installation system for dry build up, height adjustable – for people with reduced mobility



**WC Alca MEDIC**

Wall-hung WC for people with reduced mobility

### Mounting frames for plumbing fixtures



**A106/1200**

Mounting frame for handle



**A104AVS/1200**

Mounting frame for wash-basin and faucet with built-in trap

**A106/1120**

Mounting frame for handle

**A104AVS/1120**

Mounting frame for wash-basin and faucet with built-in trap

### Remote flushing



**MPO10**

Remote pneumatic flush for hand operation, white, installation: into the wall



**MPO11**

Remote pneumatic flush for hand operation, chrome-polished, installation: into the wall



**MPO12**

Remote pneumatic flush for foot operation, metal, installation: into the floor

**INFO**

**Flush plates with sensor**



**M370S**  
White (AC power supply)



**M371S**  
Chrome-polished (AC power supply)



**ASP3**  
Automatic WC flushing system, chrome, 12 V (AC power supply)



**ASP3-K**  
Automatic WC flushing system, metal, 12 V (AC power supply)



**ASP3-KT**  
Automatic WC flushing system, metal, manual, 12 V (AC power supply)

**M370SB**  
White (DC battery operated)

**M371SB**  
Chrome-polished (DC battery operated)

**ASP3-B**  
Automatic WC flushing system, chrome, 6 V (DC battery operated)

**ASP3-KB**  
Automatic WC flushing system, metal, 6 V (DC battery operated)

**ASP3-KBT**  
Automatic WC flushing system, metal, manual, 6 V (DC battery operated)

**LINEAR DRAINS**

**Waste system**



**APZ5-EDEN Spa**  
**APZ5-SHADE Spa**  
**APZ5-TWIN Spa**  
Waste system for installation in walls (650, 750, 850, 950, 1050 mm)



**APZ5-EDEN**  
Cover stainless steel-polished



**APZ5-SHADE**  
Cover stainless steel-matt



**APZ5-TWIN**  
Cover for embedding tiles

**Corner shower drain**



**ARZ1**  
Corner shower drain without an edge for perforated grids



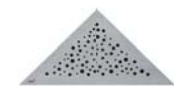
**LIFE** Stainless steel-matt



**GRACE** Stainless steel-matt



**TIME** Stainless steel-matt



**VIEW** Stainless steel-matt



**TRITON** Stainless steel-matt

**WASTES AND TRAPS**

**Sink wastes and traps**



**A873**  
Universal trap, concealed, space-saving

**Metal program**



**A403**  
Wash-basin trap DESIGN, metal DN32, space saving



**A438**  
Metal elbow DN32, 5/4" nut

**NEW**

11

## Bath waste and traps with flat overflow

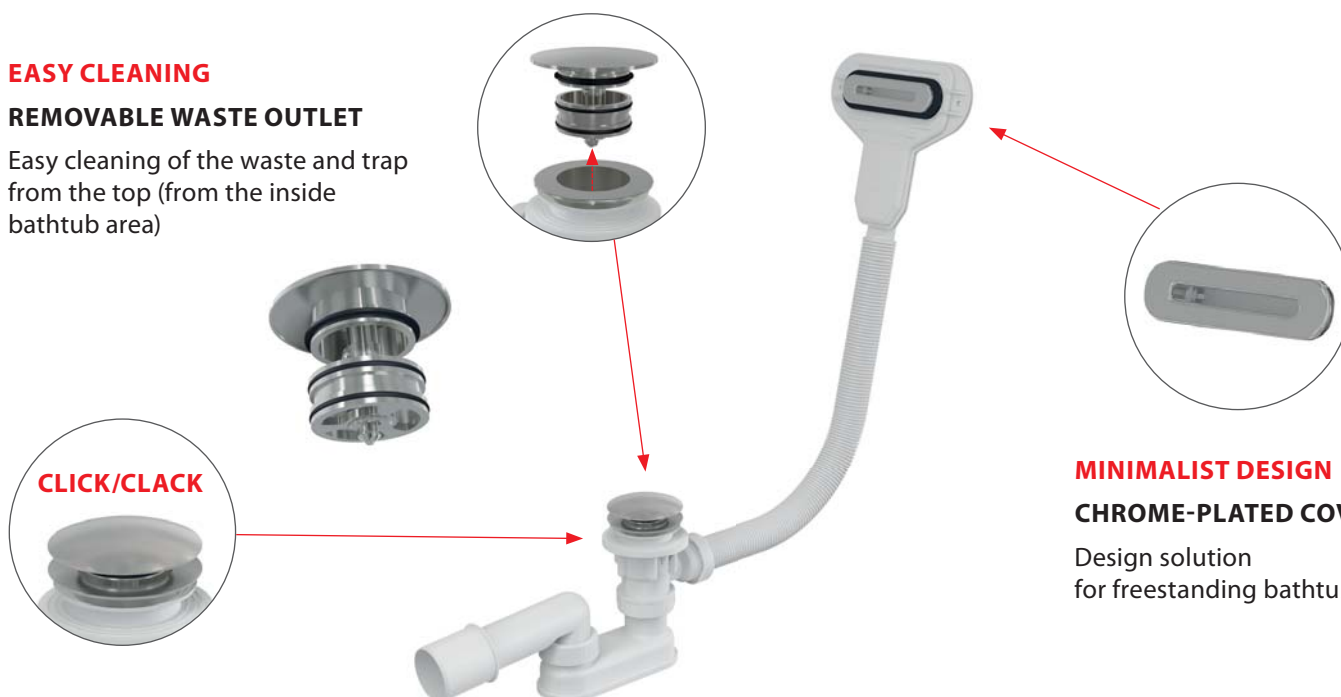
This product is designed for manufacturers of freestanding bathtubs. Bath waste and trap is available with standard CLICK/CLACK plug (A516KM) or with an easy clean CLICK/CLACK plug (A516CKM).



### EASY CLEANING

#### REMOVABLE WASTE OUTLET

Easy cleaning of the waste and trap from the top (from the inside bathtub area)



**CLICK/CLACK**

### MINIMALIST DESIGN

#### CHROME-PLATED COVER

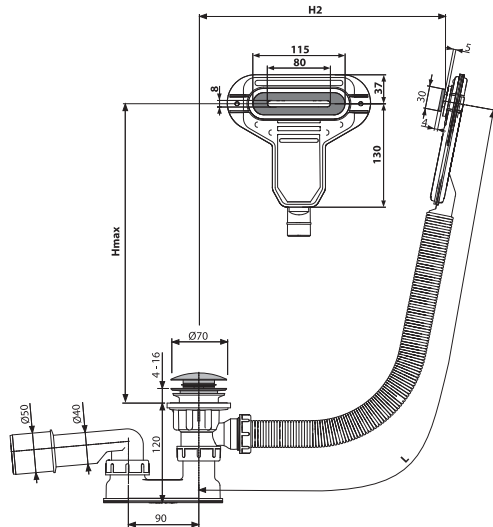
Design solution for freestanding bathtubs

**NEW**

12

**A516CKM**

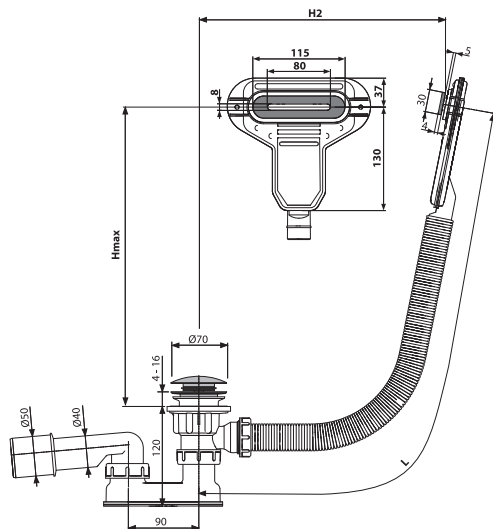
Bath CLICK/CLACK waste and trap with flat overflow, chrome



Quantity (packing) <b>A516CKM</b>	20 pcs
Dimensions (piece)	220x360x75 mm
Weight (piece)	0.7118 kg
EAN	8595580561826

**A516KM**

Bath CLICK/CLACK waste and trap with flat overflow, chrome



Quantity (packing) <b>A516KM</b>	20 pcs
Dimensions (piece)	220x360x75 mm
Weight (piece)	0.6658 kg
EAN	8595580561833

**NEW**

13

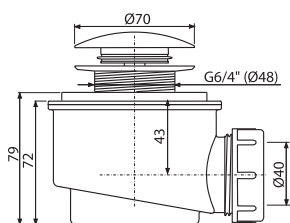
## Extension of the Black-matt program

You can now revive your bathroom with more products in black-matt finish. Now we offer also the shower waste and trap A465BLACK-50, bath waste and trap A564BLACK and A4000BLACK. A complete list of products can be found on page 15.



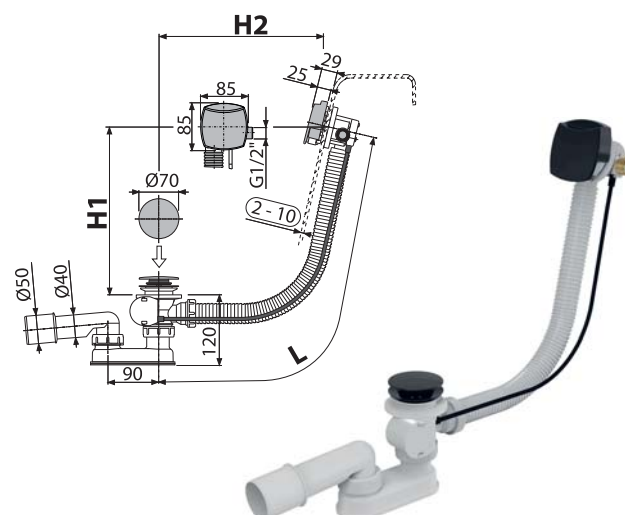
### A465BLACK-50

Shower waste and trap CLICK/CLACK, black-matt



### A564BLACK

Bath pop-up waste and trap, with overflow filler, black-matt



Quantity (packing) <b>A465BLACK-50</b>	30 pcs
Dimensions (piece)	125×105×105 mm
Weight (piece)	0.4132 kg
EAN	8595580562717

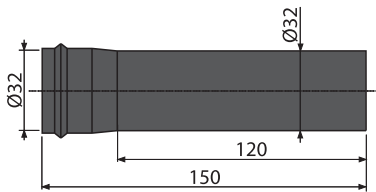
Quantity (packing) <b>A564BLACK</b>	12 pcs
Dimensions (piece)	380×95×210 mm
Weight (piece)	1.1804 kg
EAN	8595580561420

**NEW**

14

**A4000BLACK**

Extension piece DN32, black-matt



Quantity (packing) <b>A4000BLACK</b>	50 pcs
Dimensions (piece)	155x40x40 mm
Weight (piece)	0.0822 kg
EAN	8595580562083



**INFO**

# Overview of Black-matt program



**APZ1BLACK**

Shower drain with an edge for perforated grids, black-matt



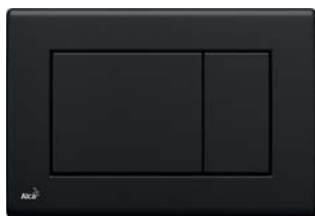
**APZ101BLACK**

Shower drain with an edge for perforated grids, black-matt



**PURE BLACK**

Grid for shower drain, black-matt



**M278**

Flush plate for pre-wall installation systems, black-matt



**M578**

Flush plate for pre-wall installation systems, black-matt



**N**

**A465BLACK-50**

Shower waste and trap CLICK/CLACK, black-matt



**A55BLACK**

Bath pop-up waste and trap, black-matt



**A507BLACK**

Bath CLICK/CLACK waste and trap, black-matt



**N**

**A564BLACK**

Bath pop-up waste and trap, with overflow filler, black-matt



**A400BLACK**

Wash-basin trap DESIGN DN32, black-matt



**N**

**A4000BLACK**

Extension piece DN32, black-matt



**A4320BLACK**

Wash-basin trap "U" DN32, with coupling nut 5/4, black-matt



**ARV001-BLACK**

Angle valve with a filter 1/2"x3/8", black-matt



**A392BLACK**

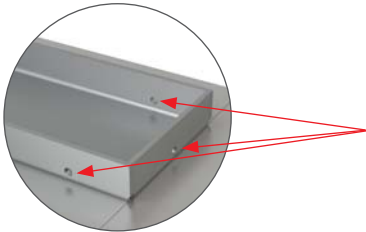
Wash-basin CLICK/CLACK waste 5/4", metal with overflow, big black plug

**NEW**

16

## Secondary drainage – shower drains APZ1S, APZ101S

The current trend in the construction industry places emphasis on new materials and proper waterproofing especially in wooden construction houses. Shower drain must be a compact part of the bathroom. The new technical solution of our linear shower drains APZ1S and APZ101S ensures moisture drainage between the tiles and waterproofing back into the shower drain body.

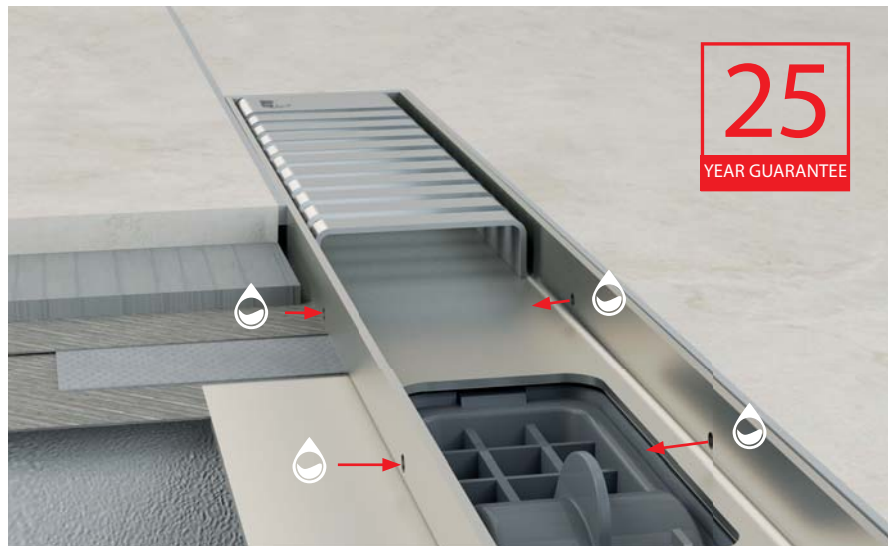


### The new trend - solutions for wooden constructions

- Drainage holes in the shower drain body Ø 3 mm
- Increased protection of bathroom waterproofing

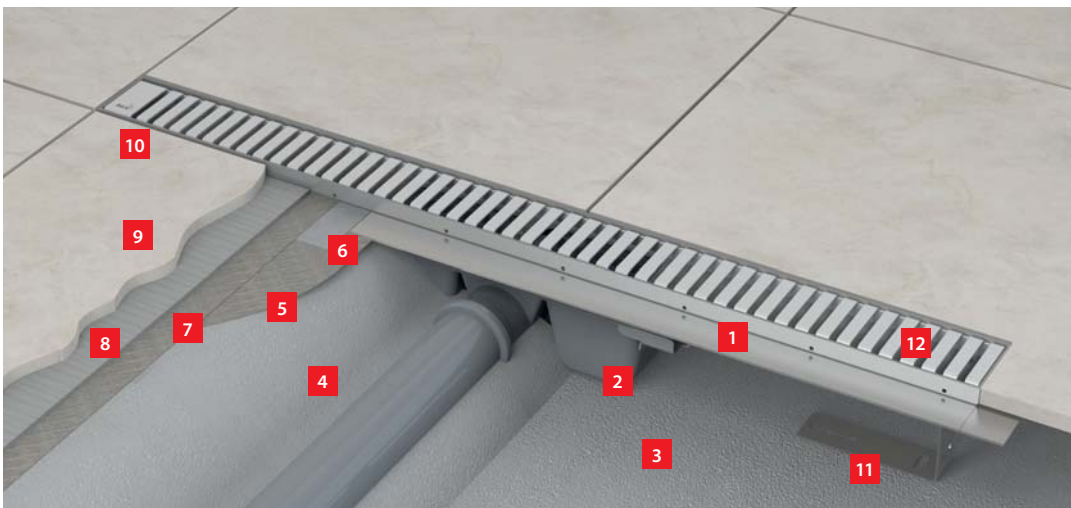
### Principle of secondary drainage

Water drains from the shower enclosure through the grid and the shower drain to the waste pipe. Porous sealings or cracks between the tiles and shower drain can cause humidity leakage under the tiles. Our new technical solution of secondary drainage ensures that condensed water from the waterproofing drains through the holes back to the shower drain body. It provides an additional drainage of the shower enclosure.



### Professional installation for bathroom without worries

When selecting this type of shower drain it is absolutely necessary to ensure the correct installation and consolidated waterproofing to be sure the function of secondary drainage works well.



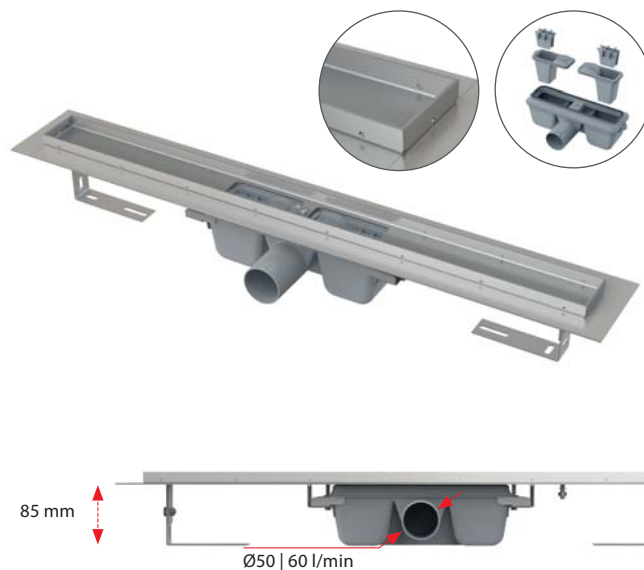
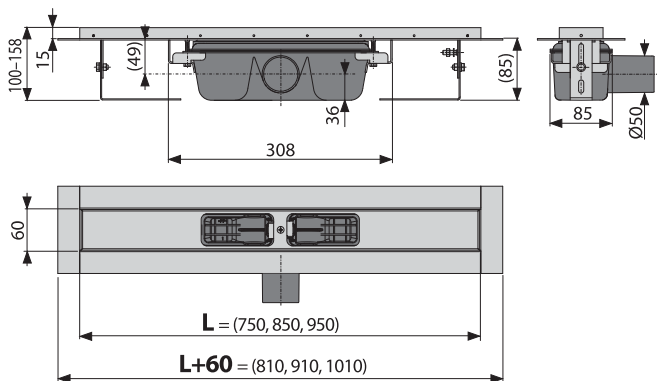
- 1 shower drain ALCA
- 2 odour trap
- 3 foundation slab
- 4 concrete screed
- 5 primer coat
- 6 waterproofing tape
- 7 waterproofing material
- 8 adhesive
- 9 tiles
- 10 flexible filler
- 11 installation legs
- 12 grid ALCA

**NEW**

17

## APZ1S

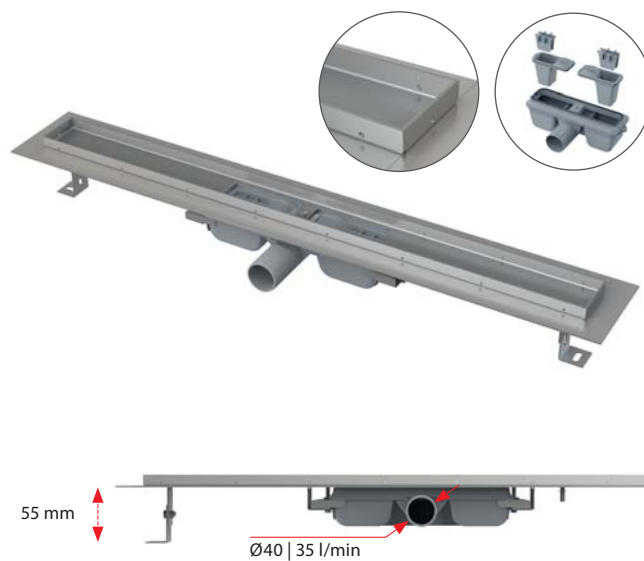
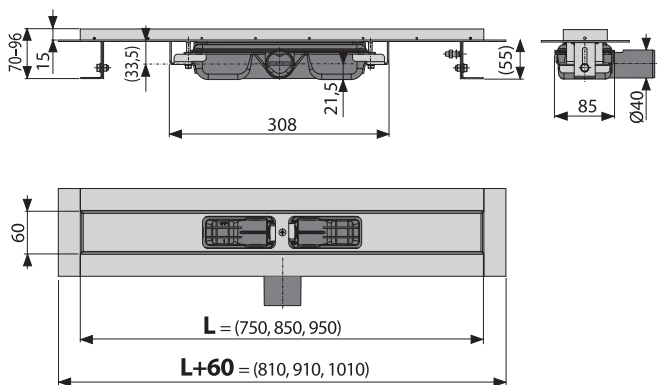
Shower drain with an edge for perforated grids  
(750, 850, 950 mm)



Quantity (packing) <b>APZ1S-750</b>	12 pcs
Dimensions (piece)	820×135×170 mm
Weight (piece)	3.4189 kg
EAN	8595580562236

## APZ101S Low

Shower drain with an edge for perforated grids  
(750, 850, 950 mm)



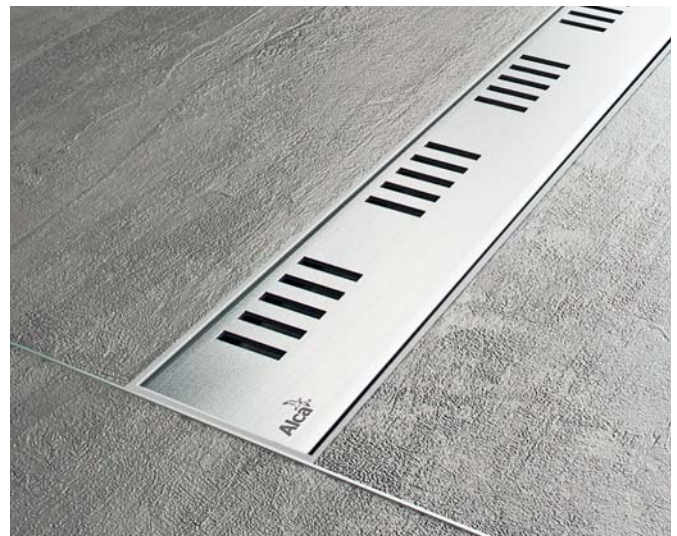
Quantity (packing) <b>APZ101S-750</b>	12 pcs
Dimensions (piece)	820×135×170 mm
Weight (piece)	3.3011 kg
EAN	8595580562281

**NEW**

18

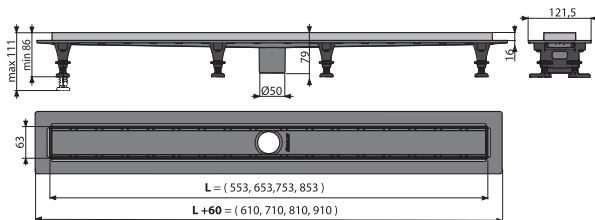
# Plastic shower drain APZ2022 with stainless steel edge without odour trap

Plastic shower drain APZ2022 without odour trap is based on the standard shower drain APZ22. It is primarily intended for connection to the central trap. Wide variety of design grids.



## APZ2022 Optimal

Shower drain with a stainless steel edge for perforated grids or tile embedding, without odour trap (550, 650, 750, 850 mm)



Quantity (packing) <b>APZ2022-550</b>	14 pcs
Dimensions (piece)	620×143×106 mm
Weight (piece)	1.2694 kg
EAN	8595580559519



### Package content

- Linear shower drain
- Waterproof tape at the length of the linear drain
- Anchoring kit (screws, dowels)
- Installation legs

### Grids for linear shower drains APZ2022 Optimal

**LINE** Stainless steel-polished /  
Stainless steel-matt



**BUBLE** Stainless steel-polished /  
Stainless steel-matt



**PURE** Stainless steel-polished /  
Stainless steel-matt



**HOPE** Stainless steel-polished /  
Stainless steel-matt



**CUBE** Stainless steel-polished /  
Stainless steel-matt



**SOLID** Stainless steel-matt



**DREAM** Stainless steel-polished /  
Stainless steel-matt



**TILE** Grid for embedding tiles



**NEW**

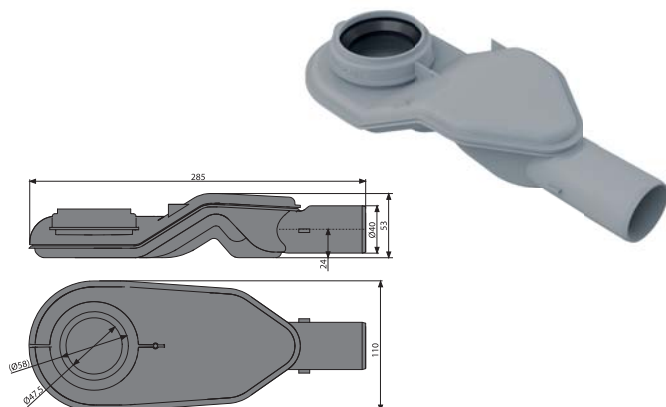
19

## Various combinations of shower drains APZ2012, APZ2022 with odour traps P142 or P138



### P142

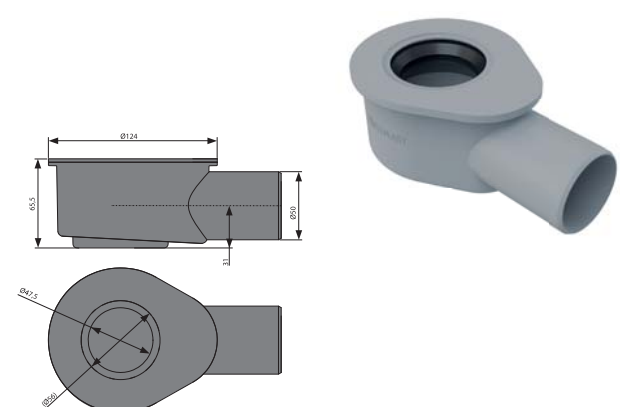
Extra-low trap DN40 for shower drains APZ2012, APZ2022



Quantity (packing) <b>P142</b>	36 pcs
Dimensions (piece)	285×110×53 mm
Weight (piece)	0.2056 kg
EAN	8595580560485

### P138

Low trap DN50 for shower drains APZ2012, APZ2022



Quantity (packing) <b>P138</b>	28 pcs
Dimensions (piece)	180×124×66 mm
Weight (piece)	0.1359 kg
EAN	8595580559854

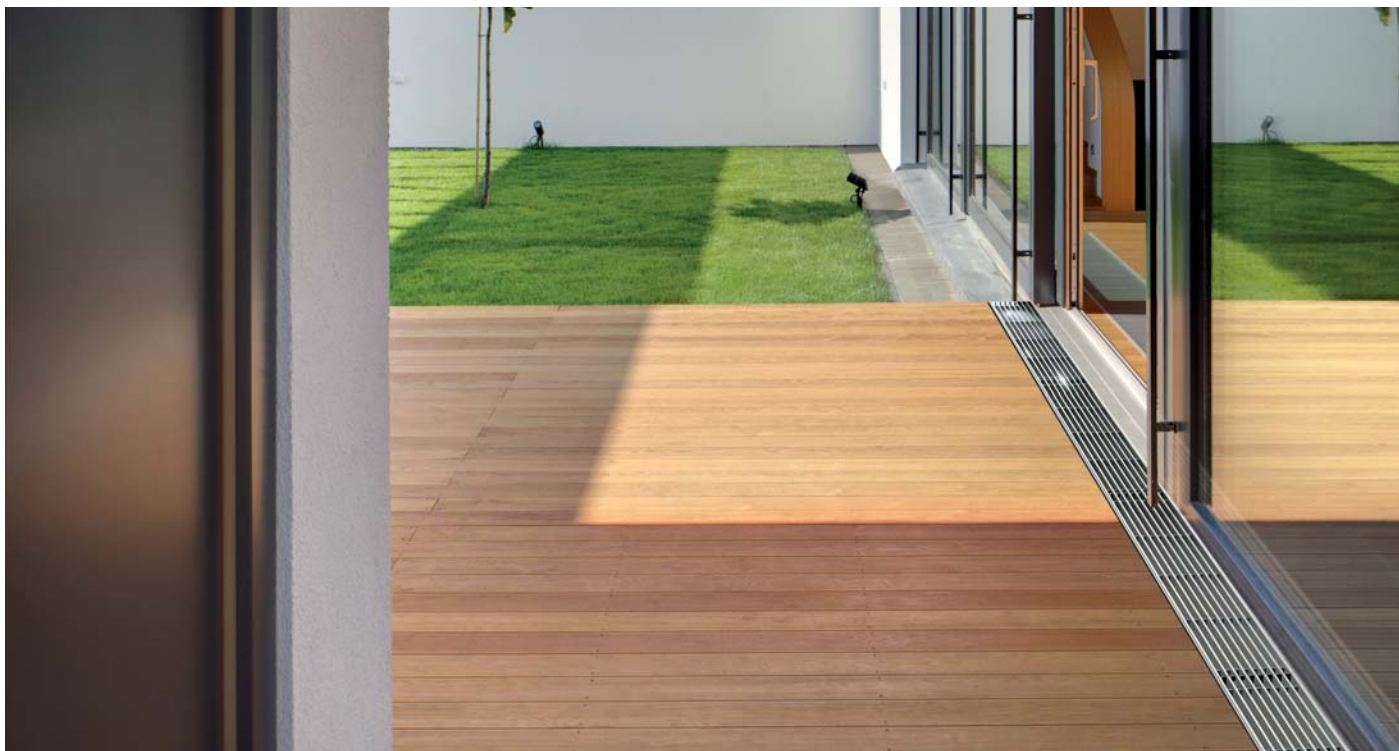


**NEW**

**20**

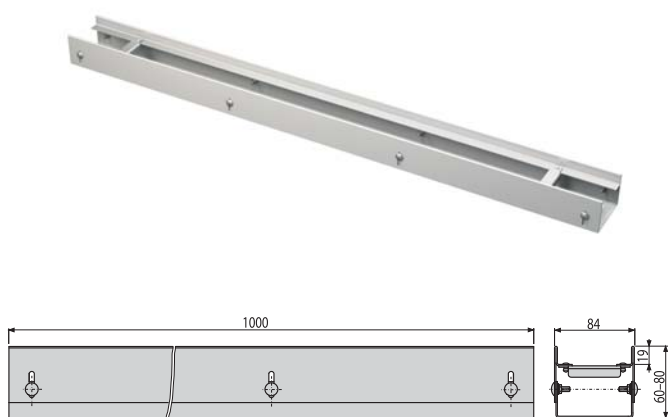
## Extention of drainage channels range

There are available new drainage channels with full body without drainage holes.



### **ADZ331V**

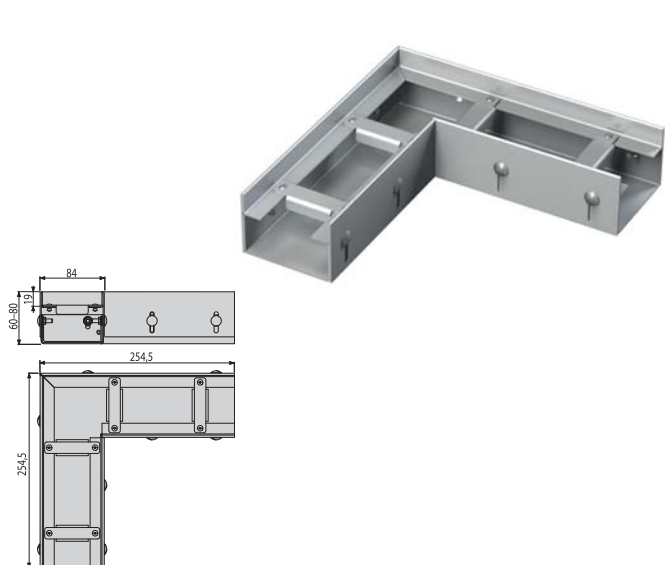
Drainage channel 75 mm adjustable, stainless steel



Quantity (packing) <b>ADZ331V</b>	1 pc
Dimensions (piece)	1000x84x60 mm
Weight (piece)	3.5855 kg
EAN	8595580561468

### **ADZ331VR**

Drainage corner channel 75 mm adjustable, stainless steel



Quantity (packing) <b>ADZ331VR</b>	1 pc
Dimensions (piece)	255x255x60 mm
Weight (piece)	1.9121 kg
EAN	8595580561475

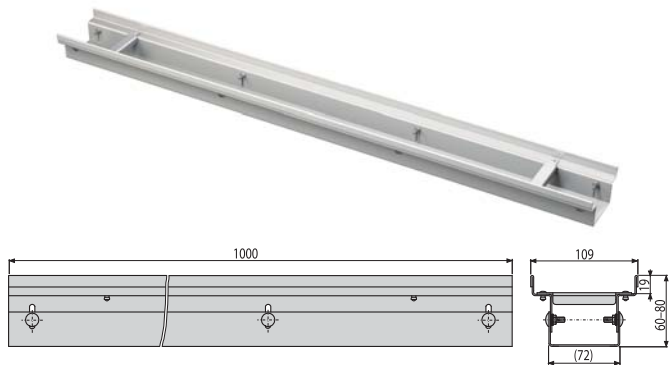


**NEW**

21

**ADZ332V**

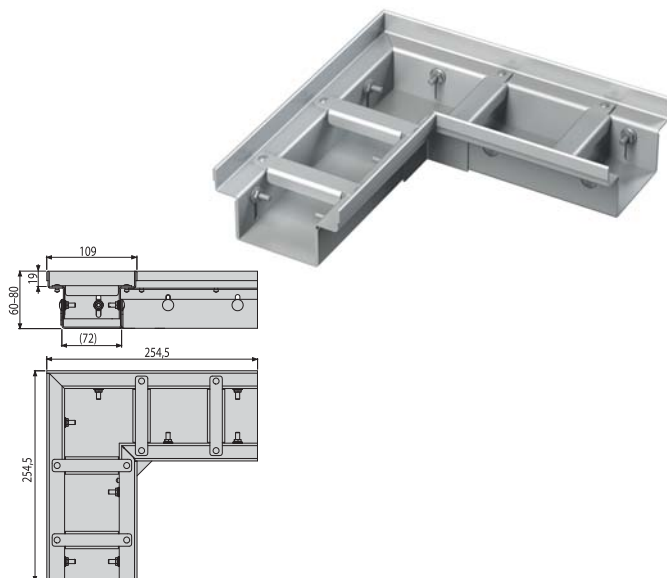
Drainage channel 100 mm adjustable, stainless steel



Quantity (packing) <b>ADZ332V</b>	1 pc
Dimensions (piece)	1000x109x60 mm
Weight (piece)	3.2625 kg
EAN	8595580561482

**ADZ332VR**

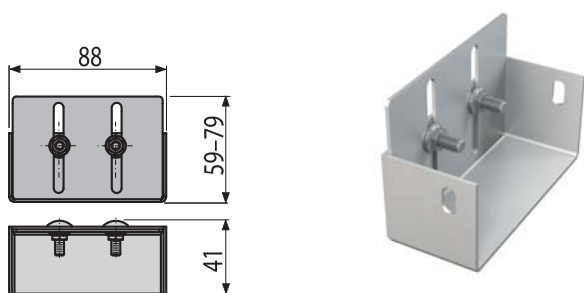
Drainage corner channel 100 mm adjustable, stainless steel



Quantity (packing) <b>ADZ332VR</b>	1 pc
Dimensions (piece)	255x255x60 mm
Weight (piece)	1.6851 kg
EAN	8595580561499

**ADZ-P011**

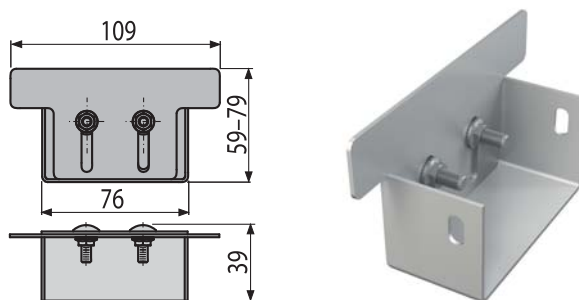
End cap for drainage channel 75 mm, stainless steel



Quantity (packing) <b>ADZ-P011</b>	1 pc
Dimensions (piece)	88x59x41 mm
Weight (piece)	0.157 kg
EAN	8595580561505

**ADZ-P012**

End cap for drainage channel 100 mm, stainless steel



Quantity (packing) <b>ADZ-P012</b>	1 pc
Dimensions (piece)	109x59x39 mm
Weight (piece)	0.142 kg
EAN	8595580561512

**NEW**

22

# Overview of drainage channels

↓  
K3

**75 mm**

**100 mm**



**N**

ADZ331V



ADZ101V  
ADZ301V



ADZ-R101 / ADZ-R301



ADZ-R103 / ADZ-R303



ADZ-R102 / ADZ-R302



ADZ-R104 / ADZ-R304



**N**

ADZ332V



ADZ102V  
ADZ302V



ADZ-R121 / ADZ-R321



ADZ-R123 / ADZ-R323



ADZ-R122 / ADZ-R322



ADZ-R124 / ADZ-R324



**N**

ADZ331VR



ADZ101VR  
ADZ301VR



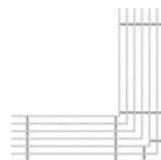
ADZ-R101R  
ADZ-R301R



ADZ-R102R  
ADZ-R302R



ADZ-R103R  
ADZ-R303R



ADZ-R104R  
ADZ-R304R



**N**

ADZ332VR



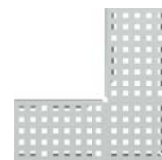
ADZ102VR  
ADZ302VR



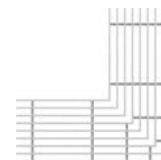
ADZ-R121R  
ADZ-R321R



ADZ-R122R  
ADZ-R322R



ADZ-R123R  
ADZ-R323R



ADZ-R124R  
ADZ-R324R



**N**

ADZ-P011



ADZ-P003  
ADZ-P001



ADZ-P007  
ADZ-P005



**N**

ADZ-P012
















ADZ-P004  
ADZ-P002
















ADZ-P008  
ADZ-P006














## INDEX

Code	Picture	EAN	Description
<b>A465BLACK-50</b>		8595580562717	Shower waste and trap CLICK/CLACK, black-matt
<b>A516CKM</b>		8595580561826	Bath CLICK/CLACK waste and trap with flat overflow, chrome
<b>A516CKM-80</b>		8595580561888	Bath CLICK/CLACK waste and trap with flat overflow, chrome
<b>A516CKM-100</b>		8595580561864	Bath CLICK/CLACK waste and trap with flat overflow, chrome
<b>A516CKM-120</b>		8595580561871	Bath CLICK/CLACK waste and trap with flat overflow, chrome
<b>A516KM</b>		8595580561833	Bath CLICK/CLACK waste and trap with flat overflow, chrome
<b>A516KM-80</b>		8595580561918	Bath CLICK/CLACK waste and trap with flat overflow, chrome
<b>A516KM-100</b>		8595580561895	Bath CLICK/CLACK waste and trap with flat overflow, chrome
<b>A516KM-120</b>		8595580561901	Bath CLICK/CLACK waste and trap with flat overflow, chrome
<b>A564BLACK</b>		8595580561420	Bath pop-up waste and trap, with overflow filler, black-matt
<b>A564BLACK-80</b>		8595580561451	Bath pop-up waste and trap, with overflow filler, black-matt
<b>A564BLACK-100</b>		8595580561437	Bath pop-up waste and trap, with overflow filler, black-matt
<b>A564BLACK-120</b>		8595580561444	Bath pop-up waste and trap, with overflow filler, black-matt












## INDEX

Code	Picture	EAN	Description
<b>A4000BLACK</b>		8595580562083	Extension piece DN32, black-matt
<b>A710</b>		8595580558833	Flexi pipe 40x40
<b>A720</b>		8595580558840	Flexi pipe 50/40x40/50
<b>A730</b>		8595580558857	Flexi pipe 5/4"x40 plastic
<b>A740</b>		8595580558864	Flexi pipe 5/4"x40 metal
<b>A750</b>		8595580558871	Flexi pipe 5/4"x32/40 plastic
<b>A760</b>		8595580558888	Flexi pipe 5/4"x32/40 metal
<b>A770</b>		8595580558895	Flexi pipe 6/4"x40/50 plastic
<b>A780</b>		8595580558901	Flexi pipe 6/4"x40/50 metal
<b>A791</b>		8595580558918	Flexi pipe 6/4"x40 plastic
<b>A792</b>		8595580558925	Flexi pipe 6/4"x40 metal
<b>A793</b>		8595580560867	Flexi pipe 6/4" with reduction to 5/4"x50/40 plastic
<b>A794</b>		8595580560874	Flexi pipe 40-32x32-40

## INDEX

Code	Picture	EAN	Description
<b>A7990</b>		8595580520618	Two-component seal 5/4"
<b>A7991</b>		8595580520625	Two-component seal 6/4"
<b>A7992</b>		8595580522612	Two-component seal 1"
<b>A7993</b>		8595580562007	Flexi pipe holder
<b>ADZ331V</b>		8595580561468	Drainage channel 75 mm adjustable, stainless steel
<b>ADZ331VR</b>		8595580561475	Drainage corner channel 75 mm adjustable, stainless steel
<b>ADZ332V</b>		8595580561482	Drainage channel 100 mm adjustable, stainless steel
<b>ADZ332VR</b>		8595580561499	Drainage corner channel 100 mm adjustable, stainless steel
<b>ADZ-P011</b>		8595580561505	End cap for drainage channel 75 mm, stainless steel
<b>ADZ-P012</b>		8595580561512	End cap for drainage channel 100 mm, stainless steel
<b>AM101/1500L MEDIC ASSISTANT</b>		8595580554828	Pre-wall installation system for dry build up, height adjustable – for people with reduced mobility
<b>APZ1S-750</b>		8595580562236	Shower drain with an edge for perforated grids
<b>APZ1S-850</b>		8595580562243	Shower drain with an edge for perforated grids

## INDEX

Code	Picture	EAN	Description
<b>APZ1S-950</b>		8595580562250	Shower drain with an edge for perforated grids
<b>APZ101S-750</b>		8595580562281	Shower drain with an edge for perforated grids
<b>APZ101S-850</b>		8595580562267	Shower drain with an edge for perforated grids
<b>APZ101S-950</b>		8595580562274	Shower drain with an edge for perforated grids
<b>APZ2022-550 Optimal</b>		8595580559519	Shower drain with a stainless steel edge for perforated grids or tile embedding, without odour trap
<b>APZ2022-650 Optimal</b>		8595580559526	Shower drain with a stainless steel edge for perforated grids or tile embedding, without odour trap
<b>APZ2022-750 Optimal</b>		8595580559533	Shower drain with a stainless steel edge for perforated grids or tile embedding, without odour trap
<b>APZ2022-850 Optimal</b>		8595580559540	Shower drain with a stainless steel edge for perforated grids or tile embedding, without odour trap
<b>P138</b>		8595580559854	Low trap DN50 for shower drains APZ2012, APZ2022
<b>P142</b>		8595580560485	Extra-low trap DN40 for shower drains APZ2012, APZ2022
<b>WC Alca MEDIC</b>		8595580504915	Wall-hung WC for people with reduced mobility



The ALCAPLAST team of specialists is always on hand to help with design, installation and quote project prices!

Czech product  
ISO 9001:2015



# Alca PLAST<sup>®</sup>

CZECH REPUBLIC

---

Alca plast, s. r. o.  
Bratislavská 2846, 690 02 Breclav  
tel.: +420 519 821 117 – Sales Dept. CZ  
tel.: +420 519 821 041 – Export Dept.  
fax: +420 519 821 083  
alcaplast@alcaplast.com  
**www.alcaplast.com**